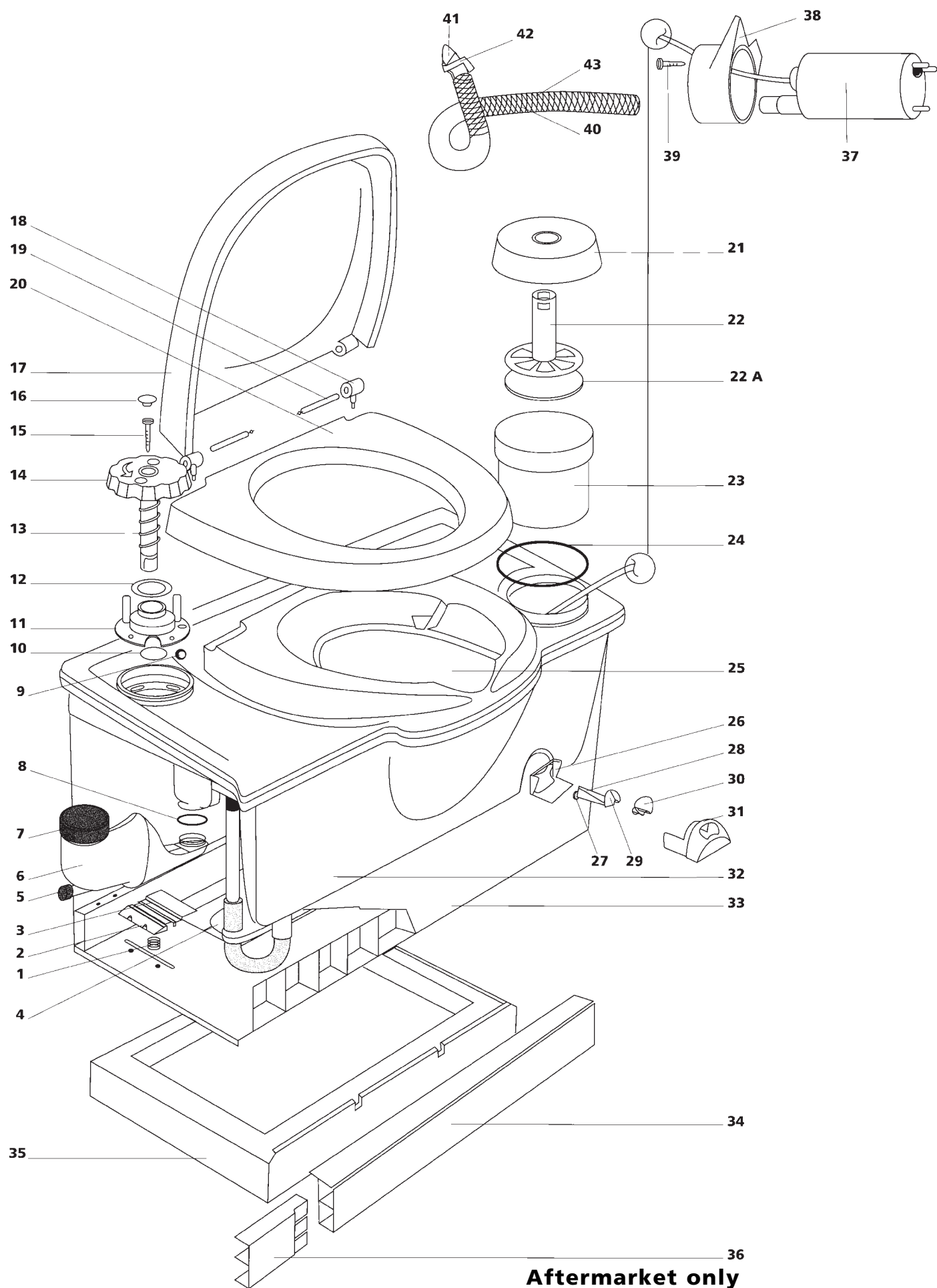
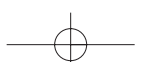


Cassette C2



Aftermarket only

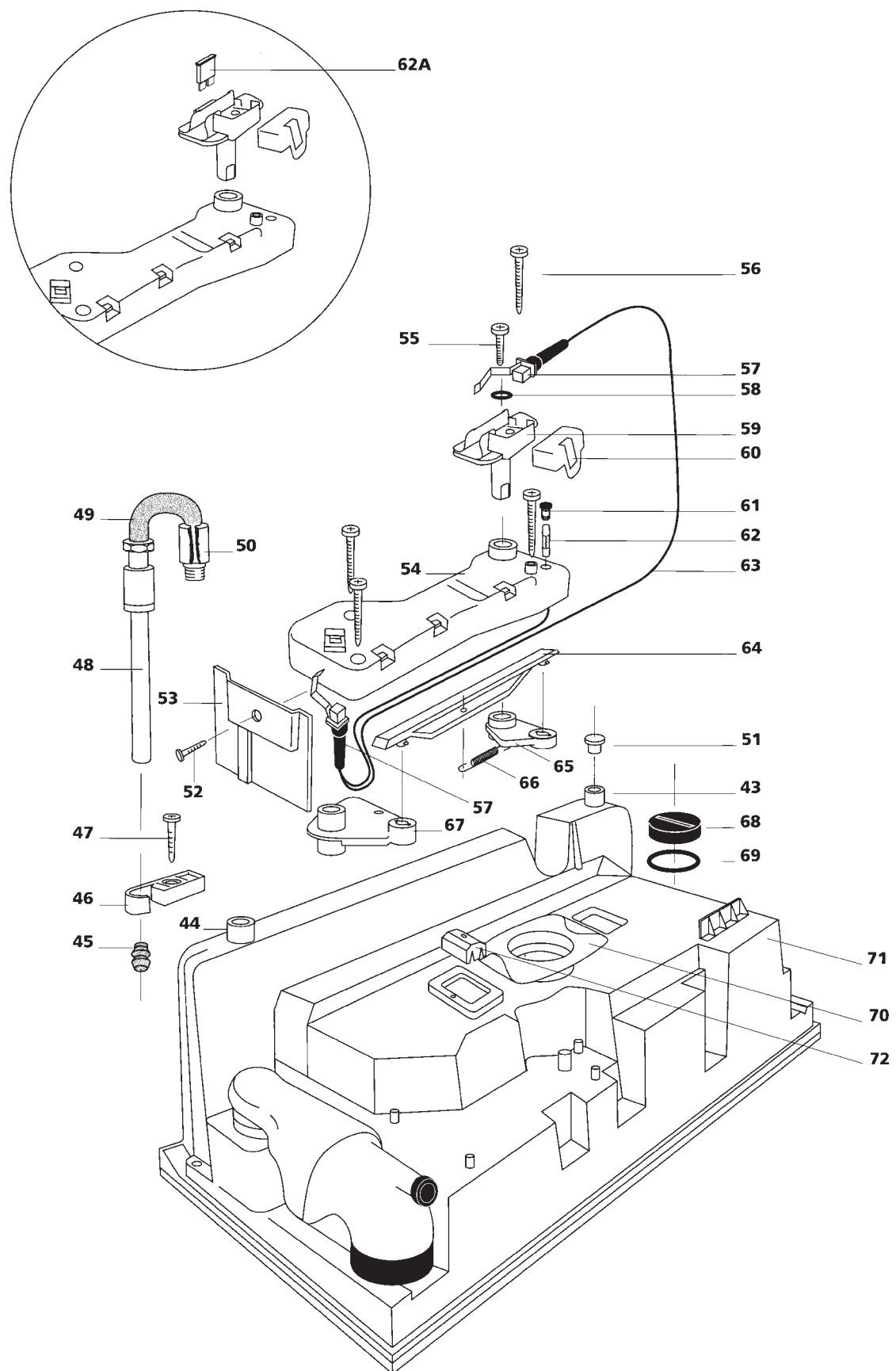


Cassette C2

Sparepart	Single sparepart number	Assembly sparepart number	Available in colour number
1. Spring clip retainer	16169	16350	78
2. Clip retainer			
3. Clip			
4. Drip tray	16166		78
5. Draincap waterfillfunnel	16385	16381	78
6. Waterfillfunnel			74
7. Cap waterfillfunnel	16848		78
8. O-ring			
9. Ball float			
10. O-ring			
11. Stop retainer			
12. Nylon bushing		16377	10/62/70
13. Spring flush knob			
14. Flush knob			
15. Screw			
16. Plug flush knob			
17. Cover		16194	10/62/70
18. Hinge post	16183		10/62/70
19. Hinge pin			
20. Seat			
21. Tissue cap		16184	62/70
22. Tissue holder			
22. A Tissue bracket			
23. Tissuewell			
24. O-ring			
25. Bowl			
26. Dial support		16171	10/62/70
27. Magnet			
28. Level indicator dial			
29. Decal level indicator			
30. Lens			
31. Level indicator bezel			
32. Watertank			
33. Base			
34. Frontpanel			
35. Basepad			
36. Extension frontpanel	16266		10/62
37. Pump	16374		
38. Pump retainer			
39. Screw			
40. Flush tube		16378	10/62
41. O-ring			
42. Nozzle			
43. Flow restrictor			

Cassette

C2



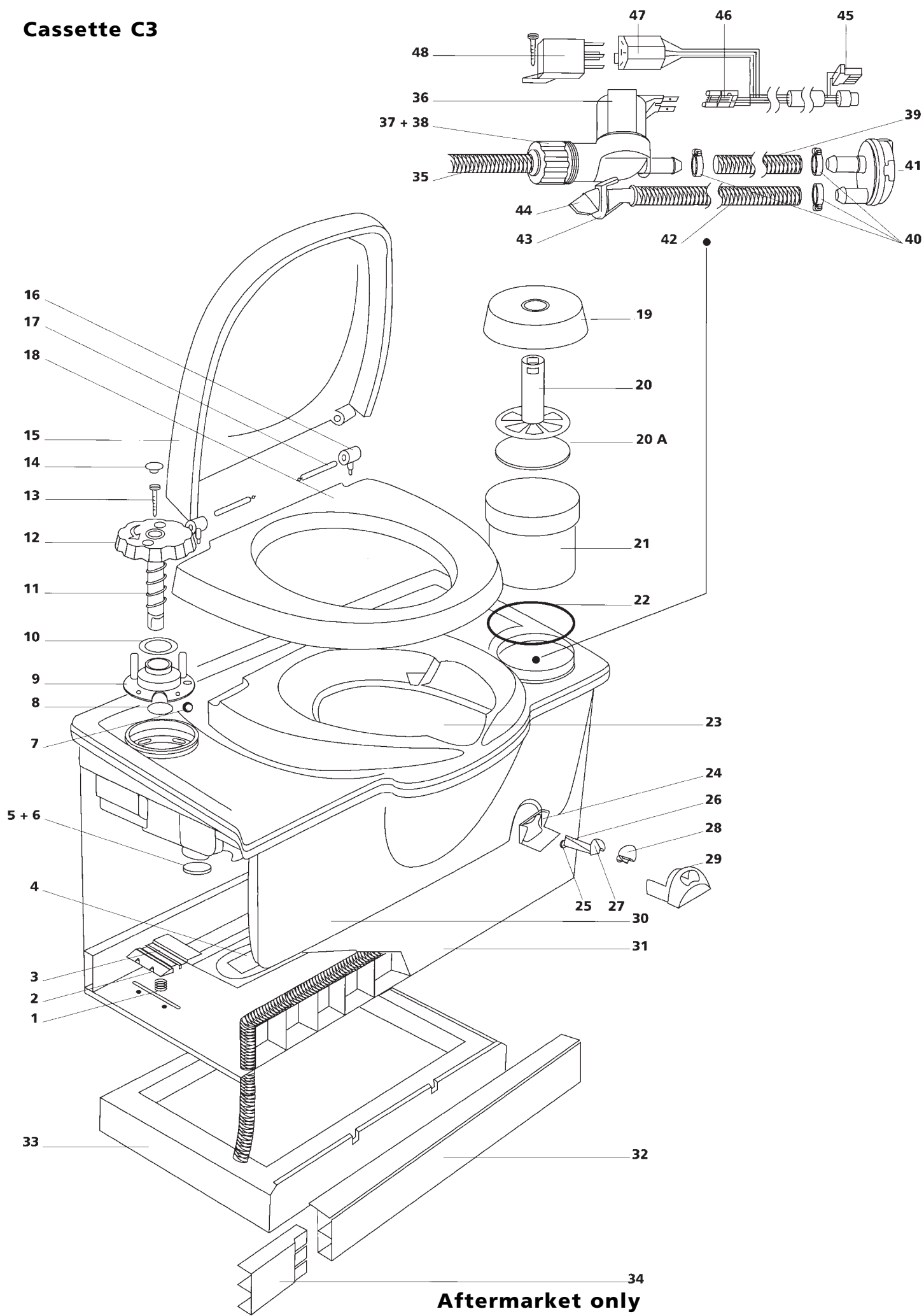
Cassette C2 bench

Sparepart	Single sparepart number	Assembly sparepart number	Available in colour number
44. Connection draintube			
45. Drain connector			
46. Bracket			
47. Screw			
48. Sight glass	16387		
49. Draintube		LH = 21370	
50. Clamp collar		RH = 21371	
51. Blind plug			
52. Skiffy fastener			
53. Splash guard			
54. Mechanism housing			
55. Screw			
56. Screw			
57. Switch	20107		
58. Washer			
59. Saddle			
60. Switch cover	16390		10
61. Cap fuse holder		16379	74
62. Glass fuse 3 Amp	16391		
62. A Fuse 3 Amp*	21766		
63. Cable	16389		
64. Link			
65. Crank			
66. Spring			
67. Crank			
68. Plug fill bottle			
69. O-ring			
70. Bowlflange			
71. Bench/watertank			
72. Magnet basket			

Cassette

* Toilets produced after June 1994

Cassette C3



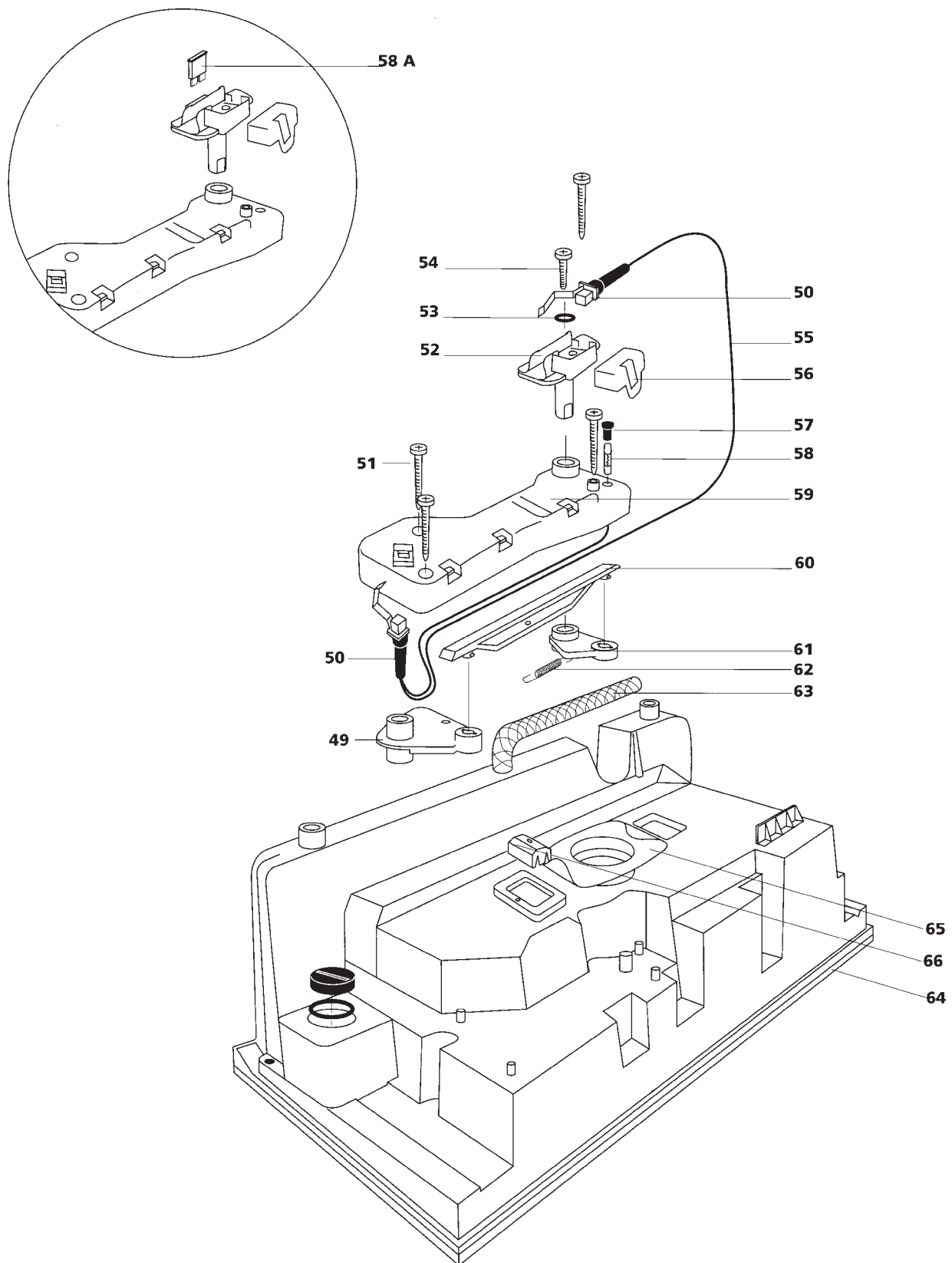
Aftermarket only

Cassette C3

Sparepart	Single sparepart number	Assembly sparepart number	Available in colour number
1. Spring clip retainer	16169		
2. Clip retainer		16350	78
3. Clip			
4. Drip tray	16166		78
5. Plug fill bottle			
6. O-ring			
7. Ball float			
8. O-ring			
9. Stop retainer			
10. Nylon bushing			
11. Spring flush knob		16377	10/62/70
12. Flush knob			
13. Screw			
14. Plug flush knob			
15. Cover		16194	10/62/70
16. Hinge post	16183		10/62/70
17. Hinge pin			
18. Seat			
19. Tissue cap			
20. Tissue holder		16184	62/70
20. A Tissue bracket			
21. Tissuewell			
22. O-ring			
23. Bowl			
24. Dial support			
25. Magnet			
26. Level indicator dial		16171	10/62/70
27. Decal level indicator			
28. Lens			
29. Level indicator bezel			
30. Bench			
31. Base			
32. Frontpanel			
33. Basepad			
34. Extension frontpanel	16266		10/62
35. Watersupply tube			
36. Electric valve			
37. Hose barb		20104	
38. Hose nut			
39. Watertube			
40. Clamp			
41. Vacuumbreaker	16833		
42. Flush tube			
43. O-ring		20103	10/62
44. Nozzle			
45. Electric connection mechanism			
46. Electric connection valve			
47. Electric connection relay			
48. Relay	20106		

Cassette

C3



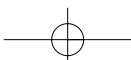
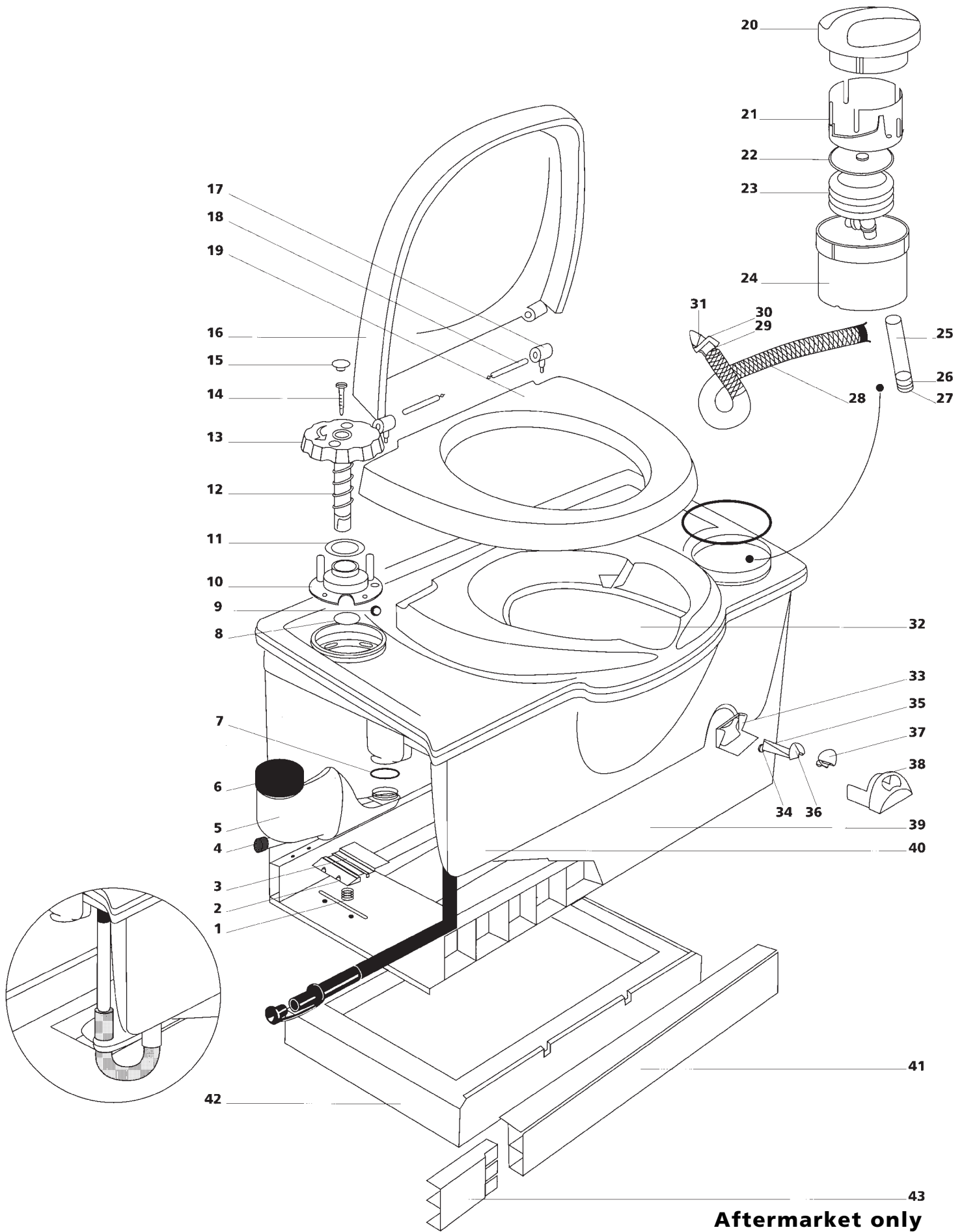
Cassette C3 bench

Sparepart	Single sparepart number	Assembly sparepart number	Available in colour number	
49. Crank		16379		
50. Switch	20107			
51. Screw				
52. Saddle				
53. Washer				
54. Screw				
55. Cable	16389			74
56. Switch cover	16390			10
57. Cap fuse holder				
58. Glass fuse 3 Amp	16391			
58. A Fuse 3 Amp*	21766			
59. Mechanism housing				
60. Link				
61. Crank				
62. Spring				
63. Watersupply tube				
64. Bench				
65. Bowlflange				
66. Magnet basket				

Cassette

* Toilets produced after June 1994

Cassette C4

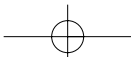
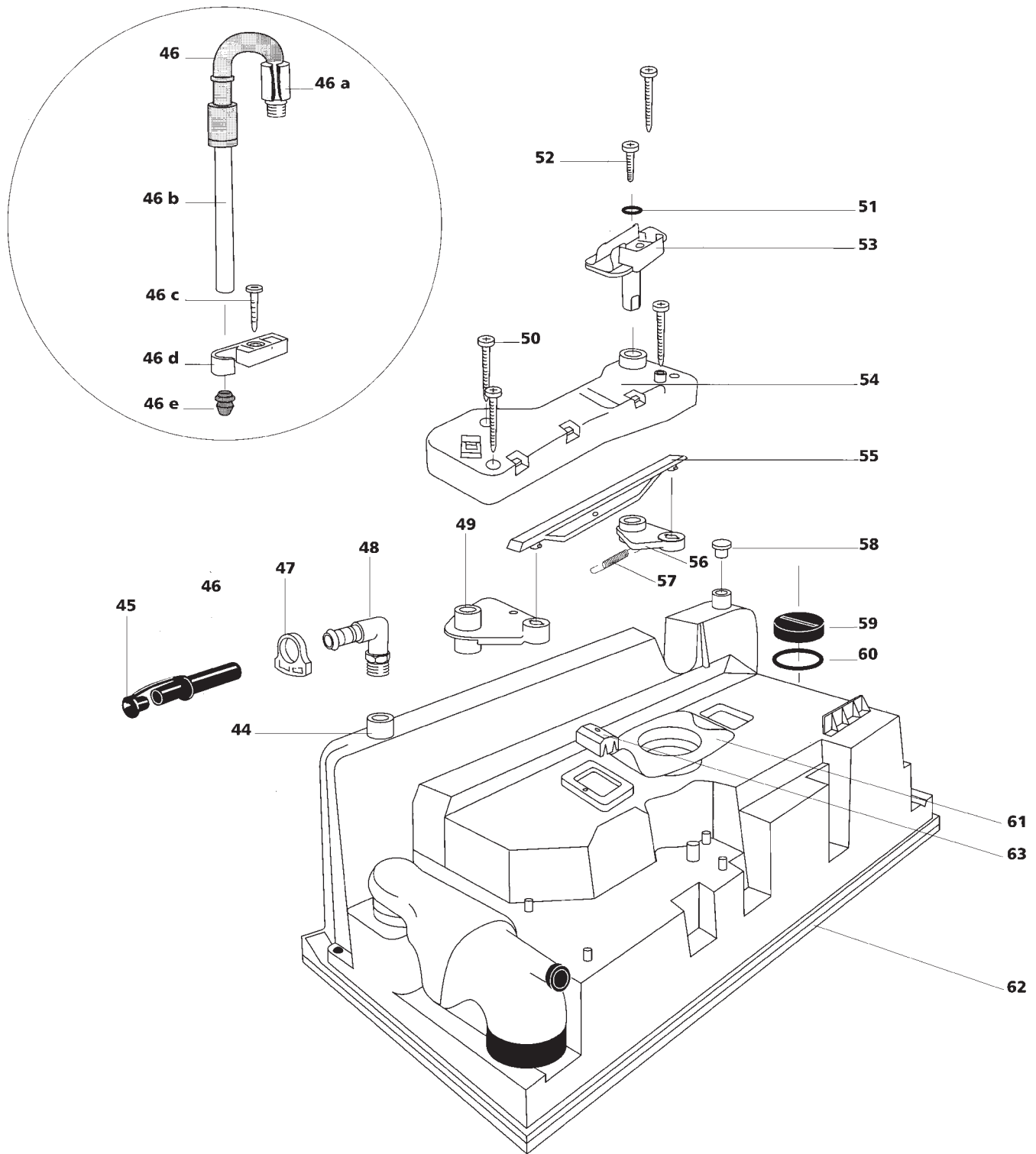


Cassette C4

Sparepart	Single sparepart number	Assembly sparepart number	Available in colour number	
1. Spring clip retainer	16169	16350	78	
2. Clip retainer				
3. Clip				
4. Draincap waterfillfunnel	16385	16381	78	
5. Waterfillfunnel			74	
6. Cap waterfillfunnel	16848		78	
7. O-ring				
8. O-ring		16377	10/62	
9. Ball float				
10. Stop retainer				
11. Nylon bushing				
12. Spring flush knob				
13. Flush knob				
14. Screw				
15. Plug flush knob		21153	10/62	
16. Cover				
17. Hinge post	16183			10/62
18. Hinge pin				
19. Seat		20291	10/62	
20. Flush cap				
21. Cylinder flush				
22. Bellow cap				
23. Bellow	21065			
24. Well pump				
25. Inlet tube				
26. Check valve body	21066			
27. Check valve flapper				
28. Flush tube				
29. Seal/plunger/spring	20292			10/62
30. O-ring		16171	10/62	
31. Nozzle				
32. Bowl				
33. Dial support				
34. Magnet				
35. Level indicator dial				
36. Decal level indicator				
37. Lens				
38. Level indicator bezel				
39. Base		16266	10/62	
40. Watertank				
41. Frontpanel				
42. Basepad				
43. Extension frontpanel	16266		10/62	

Cassette

C4



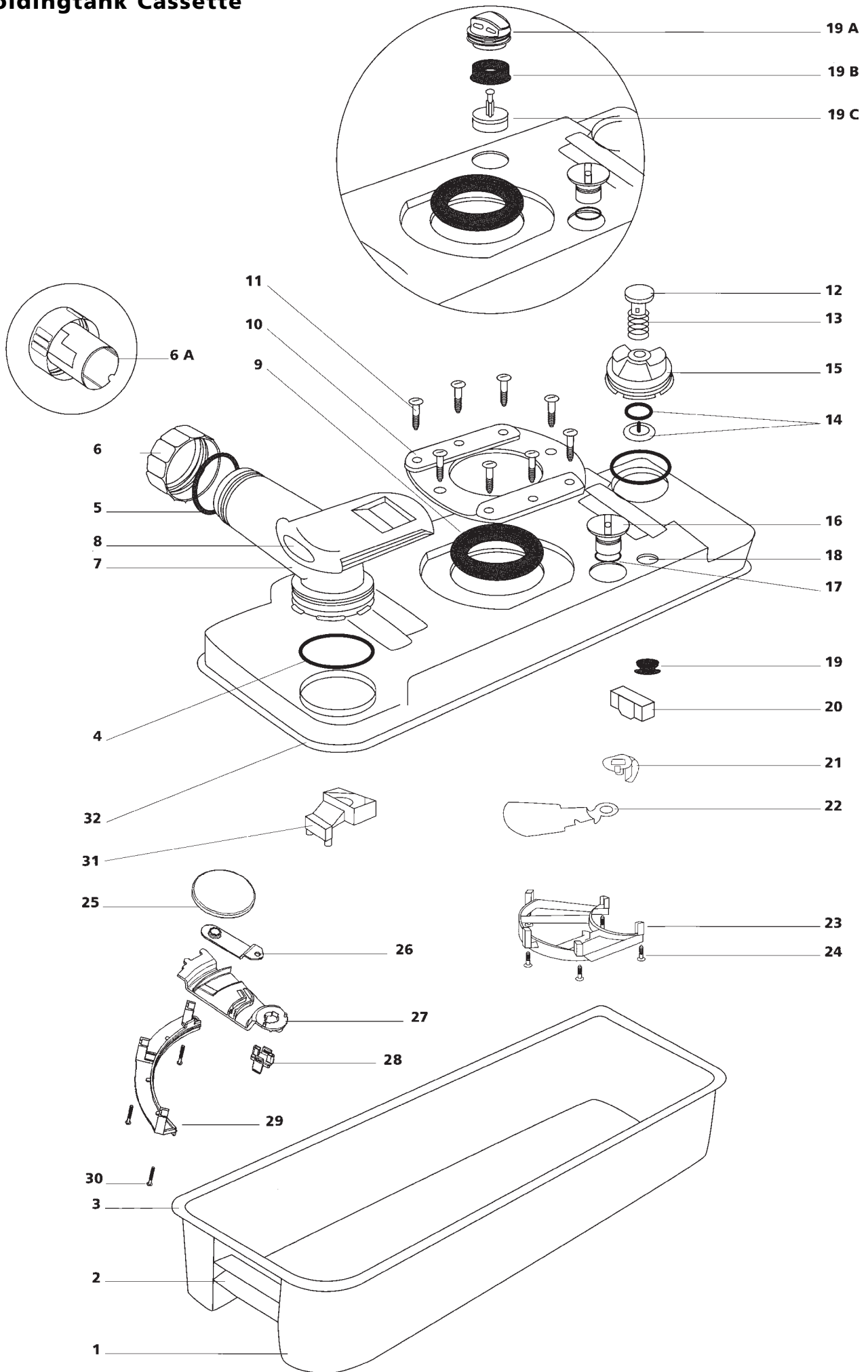
Cassette C4 bench

Sparepart	Single sparepart number	Assembly sparepart number	Available in colour number
44. Connection draintube			
45. Draintube plug		16182	
46. Draintube			
46. A/E Draintube*	LH=21370 RH=21371		
47. Clamp			
48. Adaptor draintube			
49. Crank		20325	74
50. Screw			
51. Washer			
52. Screw			
53. Saddle			
54. Mechanism housing			
55. Link			
56. Crank			
57. Spring			
58. Blind plug			
59. Plug fill bottle			
60. O-ring			
61. Bowlflange			
62. Bench/watertank			
63. Magnet basket			

*Toilets produced after March 1998

Cassette

Holdingtank Cassette



Holdingtank Cassette

Sparepart	Single sparepart number	Assembly sparepart number	Available in colour number
1. Holdingtank lower			
2. Carry handle			
3. Weld holdingtank			
4. O-ring (+ 5.)	16195	16196	74
5. Capseal			
6. Dump cap (+ 5.)	16384		
6. A Measuring cup	25810		
7. Pour out Spout			
8. Sliding cover	21333		74
9. Lipseal ¹⁾	16175		
Lipseal ²⁾	23721		
10. Seal cover			
11. Screw			
12. Vent button		16176	74
13. Spring	07524		78
14. Seal retainer			
15. Ventplug			
16. Blade opener ³⁾		21458	74
17. Cupseal			
18. Venthole			
19. Ventseal	20339		
19. A Automatic vent upper ⁴⁾		23722	74
19. B Seal automatic vent	21528		
19. C Foam			
20. Float vent	21510		
21. Blade driver			
22. Blade			
23. Blade retainer			
24. Screw			
25. Blade			
26. Blade arm driver			
Washer			
Screw			
27. Blade arm			
28. Drive arm retainer			
29. Track support			
30. Screw			
31. Float arm	21322		
32. Holdingtank upper			
Holdingtank RH complete:	21401 (Incl. Sliding cover)		74
Holdingtank LH complete:	21402 (Incl. Sliding cover)		74

¹⁾Lipseal 16175 for toilets produced until 15 June 2000.

²⁾Lipseal 23721 for toilets produced after 15 June 2000.

³⁾Blade opener 21458-74 for toilets produced until 15 June 2000.

⁴⁾Automatic vent. 23722-74 for toilets produced after June 1993.

Cassette